

## Mi Series Megapixel IP Camera



Driving IP-based physical security  
through global standardization

### VDA110SM3i Vandal Proof Armor Dome

H.264 / M-JPEG Dual Mode, 3.0 Megapixel Sony CMOS Sensor, Day/Night, 2 Way Audio, Standard PoE, Night Vision with IR LED's, IPv4 & IPv6 Compatible

Model: VDA110SM3i / VDA110SM3i-IR (Night Vision)



*The Vision Mi Series IP Camera is designed for any networked surveillance application. Megapixel Resolution combined with state-of-the-art features sets it apart from other network cameras on the market today.*

*The VDA110SM3i provides high definition 720p IP video for the most critical video surveillance applications.*

## Features

- 3.0 Megapixel 1/2.8" SONY progressive scan CMOS image sensor for excellent image quality
- Vandal Proof, fire resistant and tamper resistant
- Perfect tool-free 3-Axis mechanism inside for visual alignment
- Patented intelligent IR technology (VDA110SM3i-IR)
- Extended IR life cycle (VDA110SM3i-IR)
- Dust and Moisture free (IP66 Waterproof)
- Dual Streaming of H.264 and M-JPEG
- Up to 30 frames per second in all image resolutions
- Supports image resolutions up to Full HD (1920x1080)
- IPv4 & IPv6 compatible
- Integrated motion detection with pre- and post-alarm image/video buffering



Product info [support@visionhitech.co.kr](mailto:support@visionhitech.co.kr)  
Marketing [vht@visionhitech.co.kr](mailto:vht@visionhitech.co.kr)

- Event-triggered FTP and email upload of still images and videos
- Full Duplex Two-Way Audio Support
- Digital PTZ
- UPnP supported
- Micro-SD Local storage, event triggered, scheduled and continuous recording supported
- 1 Port analog video loop-out port
- External microphone input & speaker output connector
- Terminal block for external sensors or external alarm devices
- Supports CBR (constant bit rate) and VBR (variable bit rate) modes
- Controllable frame rate
- Video access through any standard Web browser
- Privacy Masking up to 4 areas
- Supports IEEE 802.3af Power over Ethernet injectors, mid- and end-spans
- Integrated HTTP Web server supporting 50 simultaneous user connections
- HTTPS supported (Hyper Text Transfer Protocol Secured)
- Integrated E-Mail, FTP, DDNS and DHCP client
- Extensive CGI API for software integration and remote programming operations
- Including Windows based IP Installer and NVR(Network Video Recorder) software for up to 16 channels

## Specifications

| Classification |                                 | Specification  |  |
|----------------|---------------------------------|--|--|
|                |                                 | VDA110SM3i   | VDA110SM3i-IR                              |
| General        | CPU                             | 32-bit ARM9 RISC CPU up to 533MHz, 32KB I/D-Cache, MMU       |  |
|                | Video Buffer                    | 16Mbyte Video Frame Buffer                                   |  |
|                | Flash                           | 16 Mbyte Flash Memory  |  |
|                | SDRAM                           | 256Mbyte   |  |
| Image Pickup   | Image sensor                    | 3.0 Megapixel 1/2.8" SONY progressive scan CMOS image sensor |  |
|                | Total Pixels                    | 2144(H) x 1588(V) 3.4 Megapixel                              |  |
|                | Effective Pixels                | 2144(H) x 1561(V) 3.27 Megapixel                             |  |
|                | S/N Ratio                       | More than 52dB   |  |
|                | Min. Illumination & IR Distance | 1 Lux with DSSX2<br>(F1.2, 30IRE, AGC On)                    | 0Lux (IR On)<br>30M (21 Built-in IR LED's) |
|                | Day & Night                     | ICR  |  |
|                | Lens Control                    | DC Iris  |  |
|                | Lens                            | 3.5~16mm Vari-focal Megapixel Lens                           |  |
| Video          | Video compression               | H.264 baseline profile, Motion JPEG                          |  |

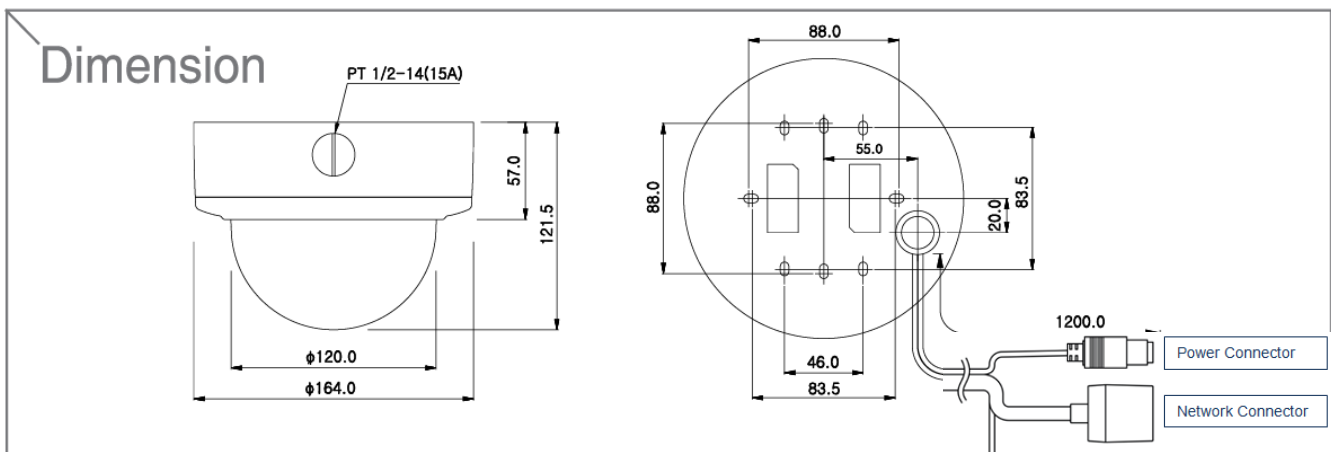


|  |   |   |
|--|---|---|
|  | Resolutions                                       | Up to 1920 x 1080   |
|  | Frame rate  | H.264 Up to 15fps with 1920x1080  |
|  |   | MJPEG Up to 15fps with VGA (Simultaneous dual stream)                             |
|  | Video streaming                                   | Support multi stream with H.264, MJPEG  |
|  |   | Adjustable frame rate   |
|  |   | VBR/CBR in H.264  |
|  | Pan/Tilt/Zoom                                     | Digital PTZ   |
|  | Image setting                                     | Day & Night   |
|  |   | ATR-EX(WDR)   |
|  |   | Auto White Balance  |
| Auto Exposure                                  |   |   |
| Privacy Mask                                   |   |   |
| Effect - Color, Sharpness, Mirror/V-Flip, etc. |   |   |
| Output   | BNC x1, 1.0Vp-p, 75 ohm Composite Video, NTSC/PAL |   |
| Audio<br><br>(Option)                          | Audio streaming                                   | Two-way, full duplex  |
|  | Audio compression                                 | G.711   |
|  | Sample Rate                                       | 8KHZ  |
|  | Data Rate   | 64Kbps  |
|  | Audio input                                       | Microphone input /1 x Line-In (Mono)  |
|  | Audio output                                      | Line output/ 1 x Line-Out (Mono)  |
| Network  | Security  | Password protection   |
|  |   | User access log   |
|  |   | HTTPS encryption  |
|  | Supported protocol                                | HTTP, HTTPS, FTP, SMTP, UPnP, DNS, DynDNS, NTP<br>RTSP, RTP, TCP, UDP, ICMP, DHCP |
| System<br>integration                          | Intelligent video                                 | Motion detection up to 1920x1080 with 32x24 blocks                                |
|  | Alarm trigger                                     | Motion detection  |
|  |   | External input/Normal Open/Close Type   |
|  | Alarm events                                      | File upload via ftp, e-mail   |
|  |   | Notification via email, FTP and TCP   |
|  |   | External output activation/Normal Open/Close Type                                 |
|  | Video buffer                                      | 16MB pre-alarm and post-alarm   |
|  | Recording   | Save to Micro-SD card with event mode and continuous mode                         |
| Firmware upgrade                               | Remote upgrade via network                        |   |
| API  | CGI Interface document                            |   |
|  | ActiveX Interface(ocx(dll) + document)            |   |

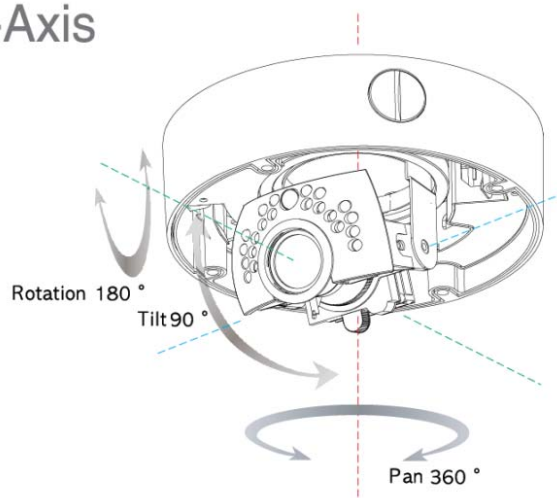
|             |                       |   |                      |
|-------------|-----------------------|---|----------------------|
| etc         | RESET Button          | 1 x Factory Reset Button  |                      |
| Physical    | Power Source          | DC 12V/1.5A, PoE(Power over Ethernet): 802.3af                  |                      |
|             | Power Consumption     | Max. 5.5W   | Max. 7.2W with IR On |
|             | Net Weight            | 2000g Appr.(Camera Only)  |                      |
|             | LED's                 | Power, Network Connection                                       |                      |
|             | Dimension             | 164(Ø) x121.5(H)  |                      |
| Environment | Operating Temperature | -25 degree~50 degree Celsius(-13F~122F)                         |                      |
|             | Storage Temperature   | -25 degree~60 degree Celsius(-13F~140F)                         |                      |
| Software    | Included Software     | NVR Lite (16 Channel), IP Installer (Windows only)              |                      |
| Package     | Package Contents      | Network Camera, Use Manual, External Power Adaptor, Software CD |                      |

■ Specifications are subject to change without prior notice to enhance performance and stability

## Dimension



## Perfect 3-Axis

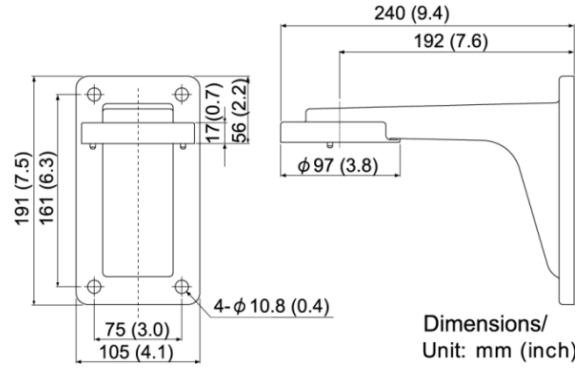


**VISION**

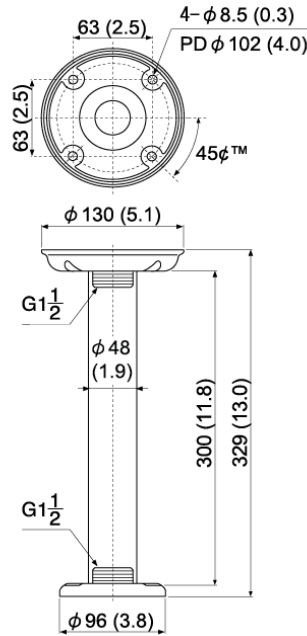
Product info [support@visionhitech.co.kr](mailto:support@visionhitech.co.kr)  
Marketing [vht@visionhitech.co.kr](mailto:vht@visionhitech.co.kr)

### Accessories

#### Wall Mount Bracket



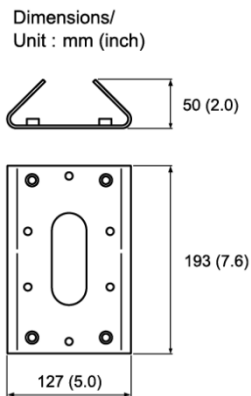
#### Ceiling Pendant Bracket



#### Outdoor Housing



#### Pole Mount Bracket



#### Corner Mount Bracket

